

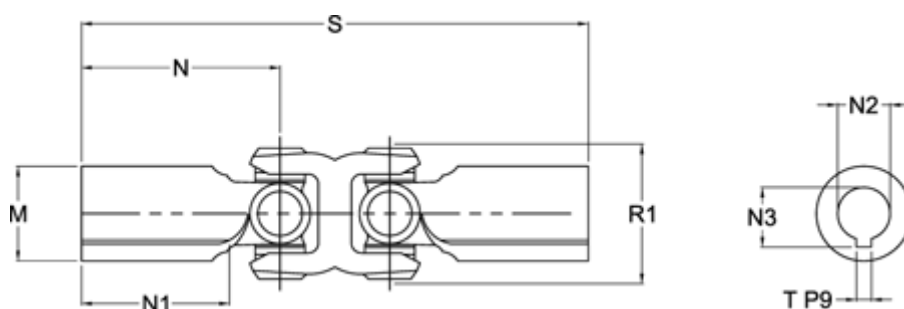
Data Sheet



Article number: 07113303001

Description: Universal joint double 0.113.303.001
S=430 X= Bore 55 H7 with keyway

Measures



M	= 90	T = 16 P9
Max. Bending Angle degrees	= 12	
N	= 175	
N1	= 87	
N2	= 55 H7	
N3	= 59,3 +0,2	
R1	= 125	
S min	= 430	